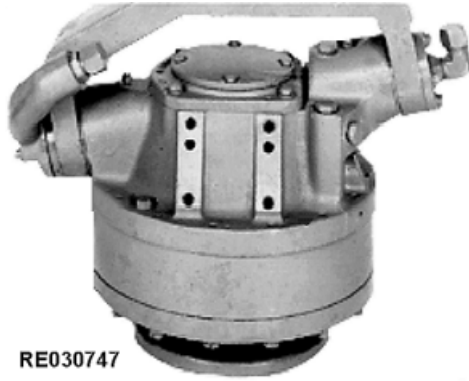


RE030747 -UN-13JUL99



RE030747

STEERABLE CAM LOBE MOTOR

RE030748 -UN-13JUL99



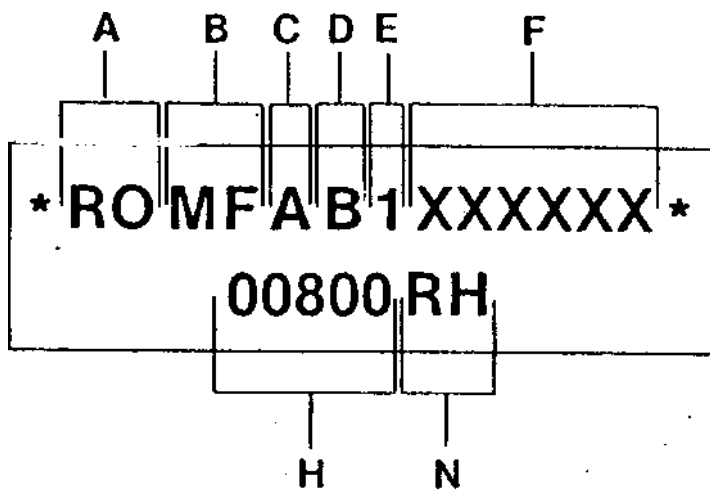
RE030748

FIXED-MOUNT CAM LOBE MOTOR

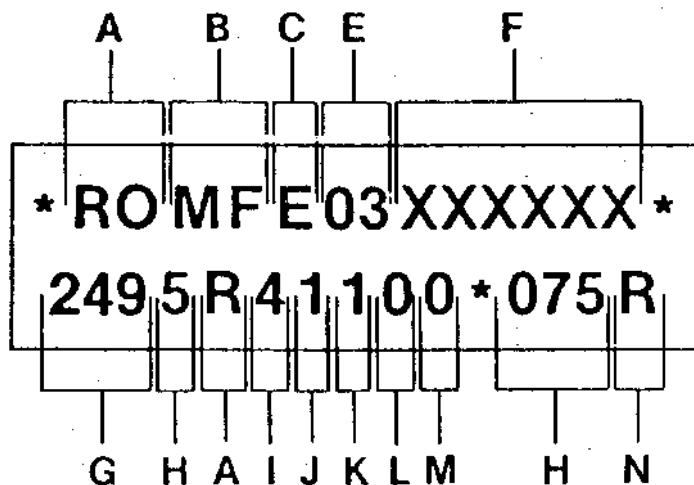
(SPECIFICATIONS AND DESIGN SUBJECT TO CHANGE WITHOUT NOTICE)

CAM LOBE MOTOR SERIAL NUMBER PLATE

RXP7386 -UN-01JAN94



(Early Design)



(Current Design)

RXP7386

CAM LOBE MOTOR SERIAL NUMBER PLATE - CONTINUED

A - PRODUCING FACTORY	H - DISPLACEMENT (PER REV.)	8 - FIXED PENTASTAR/COUNTER-
B - TYPE	1 - 800 CM3 (49 IN.3)	CLOCKWISE ROTATION
MF - MOTOR	2 - 1000 CM3 (61 IN.3)	**J - SHAFT
C - DISPLACEMENT (PER REV.)	3 - 1600 CM3 (98 IN.3)	1 - FLANGED
A - 800 CM3 (49 IN.3)	4 - 2000 CM3 (122 IN. 3)	**2 - SPLINED
B - 1000 CM3 (61 IN.3)	5 - 1200 CM3 (75 IN.3)	K - STEERING
C - 1600 CM3 (98 IN.3)	I - MOUNT	0 - NO STEERING ARM
D - 2000 CM3 (122 IN. 3)	1 - FIXED/CLOCKWISE	1 - STEERING ARM
E - 1200 CM3 (75 IN.3)	ROTATION	L - BRAKE
D - USAGE	2 - FIXED/COUNTERCLOCK-	0 - NO BRAKE
A OR C - LEFT-HAND	WISE ROTATION	1 - MECHANICAL BRAKE
B OR D - RIGHT-HAND	*3 - YOKE/CLOCKWISE	***M - DESTROKE OPTION
E - REVISION CODE	ROTATION	***0 - NO DESTROKE
F - SERIAL NUMBER	*4 - YOKE/COUNTERCLOCK-	1 - DESTROKE
G - MASTER MACHINE CODE	WISE ROTATION	N - ROTATION
248 - 50 SERIES (2 IN.	5 - KNEE/CLOCKWISE	R - CLOCKWISE
AXLE)	ROTATION	L - COUNTERCLOCKWISE
249 - 60 SERIES (3 IN.	6 - KNEE/COUNTERCLOCK-	
AXLE)	WISE ROTATION	
	7 - FIXED PENTASTAR/	
	CLOCKWISE ROTATION	

THE MOTOR SERIAL NUMBER PLATE IS LOCATED ON THE INNER COVER. LIST THE ENTIRE TOP LINE OF THE SERIAL NUMBER PLATE IN ANY CORRESPONDENCE. SOME MOTORS, OF CURRENT DESIGN, MAY HAVE A PART NUMBER ON THE SECOND LINE OF THE SERIAL NUMBER PLATE RATHER THAN THE CODED INFORMATION SHOWN ABOVE.

MOTORS PRIOR TO SERIAL NUMBER -- 004400

*I - MOUNT
 3 - YOKE/COUNTERCLOCKWISE ROTATION
 4 - YOKE/CLOCKWISE ROTATION

**J - SHAFT
 2 - SPLINED (PENTASTAR MOUNT)

***M - DESTROKE OPTION
 O - DESTROKE

SECTION INDEX

GENERAL INFORMATION 5

STEERABLE COMPONENTS 10

FIXED-MOUNT COMPONENTS 20

DESTROKE PUMP, CHECK VALVE AND BRAKE COMPONENTS 30

INTERNAL MOTOR COMPONENTS 40

NUMERICAL INDEX 95

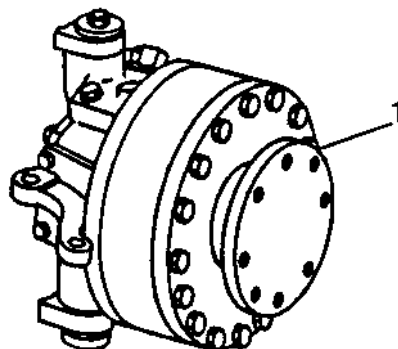
ALPHABETICAL INDEX

GRID		PAGE	GRID		PAGE
A			S		
A20	ADAPTER SHAFT	30-2	B1	SEALS, SHAFT, OUTER COVER, AND BEARING	40-4
A13	ARM, STEERING	10-6	A20	SHAFT, ADAPTER	30-2
B			B1	SHAFT, OUTER COVER, BEARING, AND SEALS	40-4
A24	BEARING AND COVER, QUILL (50 SERIES)	40-2	A16	SHIFT VALVE	20-2
B1	BEARING AND SEALS, SHAFT, OUTER COVER	40-4	A8	STEERABLE CAM LOBE MOTOR	10-1
A23	BEARING, COVER, AND QUILL (60 SERIES)	40-1	A13	STEERING ARM	10-6
A16	BLOCK, PORTING	20-2	A11	STEERING YOKE (50 SERIES) (60 SERIES)	10-4
A20	BRAKE HOUSING	30-2	A9	STEERING, YOKE (50 SERIES)	10-2
A20	BRAKE, PARKING	30-2	V		
C			A16	VALVE, SHIFT	20-2
A8	CAM LOBE MOTOR, STEERABLE	10-1	A19	VALVES, CHECK	30-1
B3	CAM, CARRIER, AND PISTONS	40-6	Y		
B3	CARRIER, PISTONS, AND CAM	40-6	A9	YOKE, STEERING (50 SERIES)	10-2
A19	CHECK VALVES	30-1	A11	YOKE, STEERING (50 SERIES) (60 SERIES)	10-4
A23	COVER, QUILL, AND BEARING (60 SERIES)	40-1			
A24	COVER, QUILL, BEARING AND (50 SERIES)	40-2			
D					
A19	DESTROKE PUMP	30-1			
F					
A15	FIXED-MOUNT CAM LOBE MOTOR	20-1			
I					
B6	INNER COVER	40-10			
M					
B5	MANIFOLD	40-8			
A15	MOTOR, FIXED-MOUNT CAM LOBE	20-1			
O					
B1	OUTER COVER, BEARING AND SEALS, SHAFT	40-4			
P					
A20	PARKING BRAKE	30-2			
B3	PISTONS, CAM, AND CARRIER	40-6			
A16	PORTING BLOCK	20-2			
A19	PUMP, DESTROKE	30-1			
Q					
A24	QUILL, BEARING AND COVER (50 SERIES)	40-2			
A23	QUILL, BEARING, AND COVER (60 SERIES)	40-1			

MEMORANDA

STEERABLE CAM LOBE MOTOR

RXP022119 -UN-21APR97



RXP022119

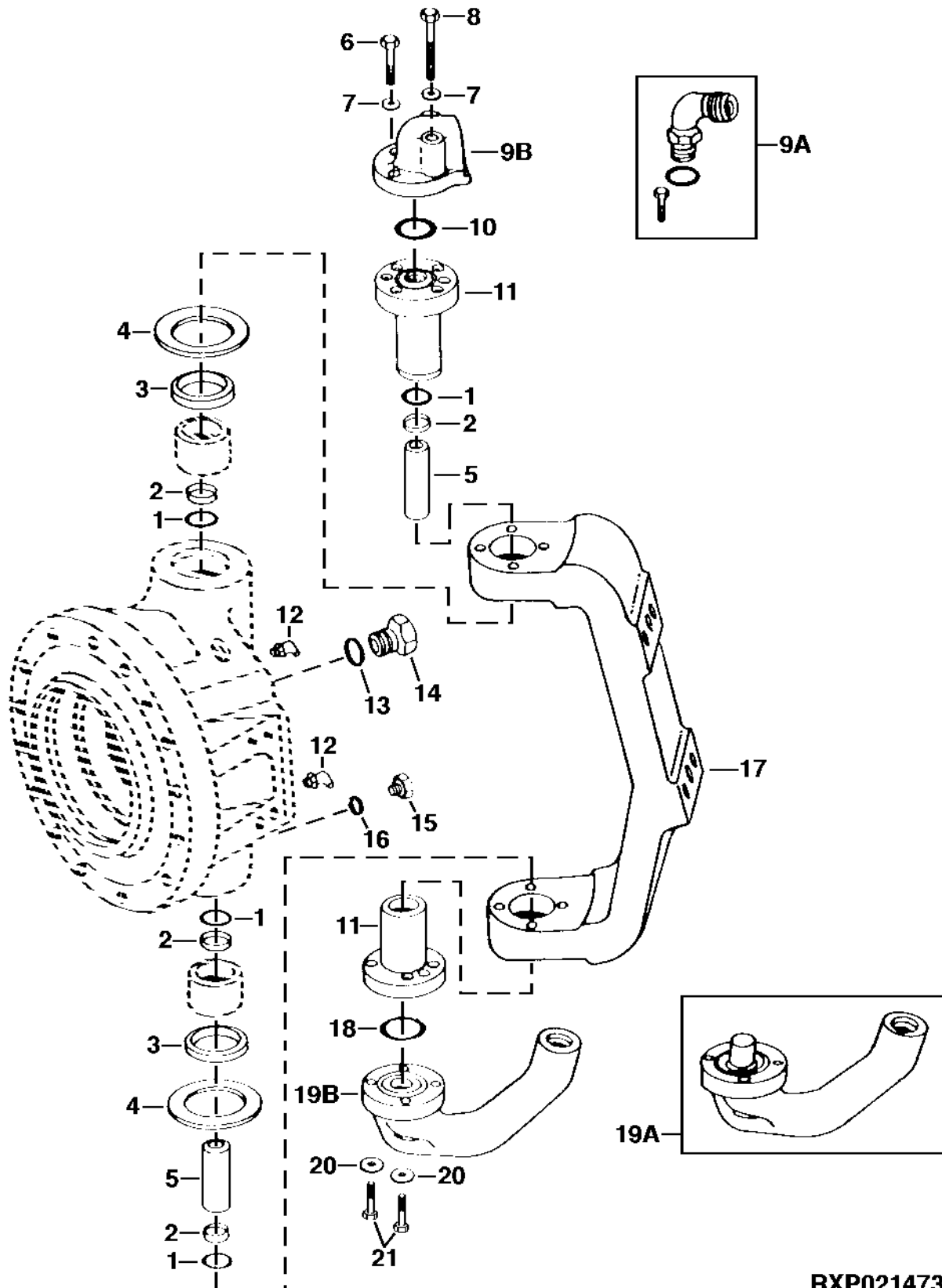
KEY	PART NO.	PART NAME	QTY	MOTOR SERIAL NO.	REMARKS
1	RE18718	MOTOR	1	(A) R.H. (2481R31101) (50 SERIES) (SUB FOR AR91826)	
	RE18719	MOTOR	1	(A) L.H. (2481R41101) (50 SERIES) (SUB FOR AR91827)	
	RE18720	MOTOR	1	(B) R.H. (2482R31101) (50 SERIES) (SUB FOR AR91828)	
	RE18721	MOTOR	1	(B) L.H. (2482R41101) (50 SERIES) (SUB FOR AR91829)	
	RE18724	MOTOR	1	(C) R.H. (2483R31101) (50 SERIES) (SUB FOR AR91832)	
	RE18725	MOTOR	1	(C) L.H. (2483R41101) (50 SERIES) (SUB FOR AR91833)	
	RE33336	MOTOR	1	(D) R.H. (2495R31100) (60 SERIES)	
	RE33337	MOTOR	1	(D) L.H. (2495R41100) (60 SERIES)	
	RE53594	MOTOR	1	(C) R.H. (2485R31001) (50 SERIES)	
	RE53595	MOTOR	1	(C) L.H. (2485R41001) (50 SERIES)	
	RE33338	MOTOR	1	(C) R.H. (2493R31100) (60 SERIES)	
	RE33339	MOTOR	1	(C) L.H. (2493R41100) (60 SERIES)	
	RE67484	MOTOR	1	(D) (E) R.H. (60 SERIES)	
	RE67485	MOTOR	1	(D) (E) L.H. (60 SERIES)	
	RE67486	MOTOR	1	(C) (E) R.H. (60 SERIES)	
	RE67487	MOTOR	1	(C) (E) L.H. (60 SERIES)	

- (A) 800CC
- (B) 1000CC
- (C) 1600CC
- (D) 1200CC
- (E) USE ON COMBINES ONLY

A9

STEERABLE COMPONENTS

YOKE, PIVOTS AND CAP
(50 SERIES)(EARLY DESIGN)
(STEERABLE)
RXP021473 -UN-07MAR96



RXP021473

A10

STEERABLE COMPONENTS

**YOKE, PIVOTS AND CAP - CONTINUED
(50 SERIES)(EARLY DESIGN)
(STEERABLE)**

KEY	PART NO.	PART NAME	QTY	MOTOR SERIAL NO.	5 0	6 0	REMARKS
1	U11647	O-RING	4		X		
2	R73102	WASHER	4		X		
3	AR86539	SEAL	2		X		
4	R60239	THRUST WASHER	2		X		
5	R60424	BUSHING	2	-XXXXXX	X		(A) (USE WITH AR101841 OR AR101842)
	R80973	BUSHING	1	XXXXXX-XXXXXX	X		(B) (USE WITH R80971 OR R80972)
6	19H3267	CAP SCREW	2		X		3/8" X 1-5/8"
7	R69536	WASHER	4		X		
8	19H2855	CAP SCREW	2		X		3/8" X 3-1/4"
9A	AT32331	ELBOW FITTING	1	-XXXXXX	X		(A) 90°
	U12547	O-RING	1	-XXXXXX	X		(A)
	19H3219	CAP SCREW	4	-XXXXXX	X		(A) 3/8" X 1-3/8"
9B	R80972	CAP	1	XXXXXX-XXXXXX	X		(B)
10	U46335	O-RING	1	-XXXXXX	X		(A)
11	R71966	SLEEVE	2	-XXXXXX	X		(A)
	R80974	PIN	2	XXXXXX-XXXXXX	X		(B)
12	JD7847	LUBRICATION FITTING	2		X		45° X 1" LONG
13	R26375	O-RING	1		X		
14	R39112	FITTING	1		X		
15	R27218	FITTING PLUG	1		X		
16	R26448	O-RING	1		X		
17	R69610	YOKE	1		X		(SUB R89015)
18	U46335	O-RING	1	-XXXXXX	X		(A)
19A	AR101841	CAP	1	-XXXXXX	X		(A) R.H. (SUB R80971 AND R80973)
	AR101842	CAP	1	-XXXXXX	X		(A) L.H. (SUB R80975 AND R80973)
19B	R80971	CAP	1	XXXXXX-XXXXXX	X		(B) R.H.
	R80975	CAP	1	XXXXXX-XXXXXX	X		(B) L.H.
20	R69536	WASHER	4		X		
21	19H3267	CAP SCREW	2		X		3/8" X 1-5/8"
22	19H3031	CAP SCREW	2		X		3/8" X 2-1/2"

(A)(-XXXXXX) 800 R.H.-005159;800 L.H.-005171;1000 R.H.-003174;1000 L.H.-003178;1600

R.H.-002275;1600 L.H.-002276

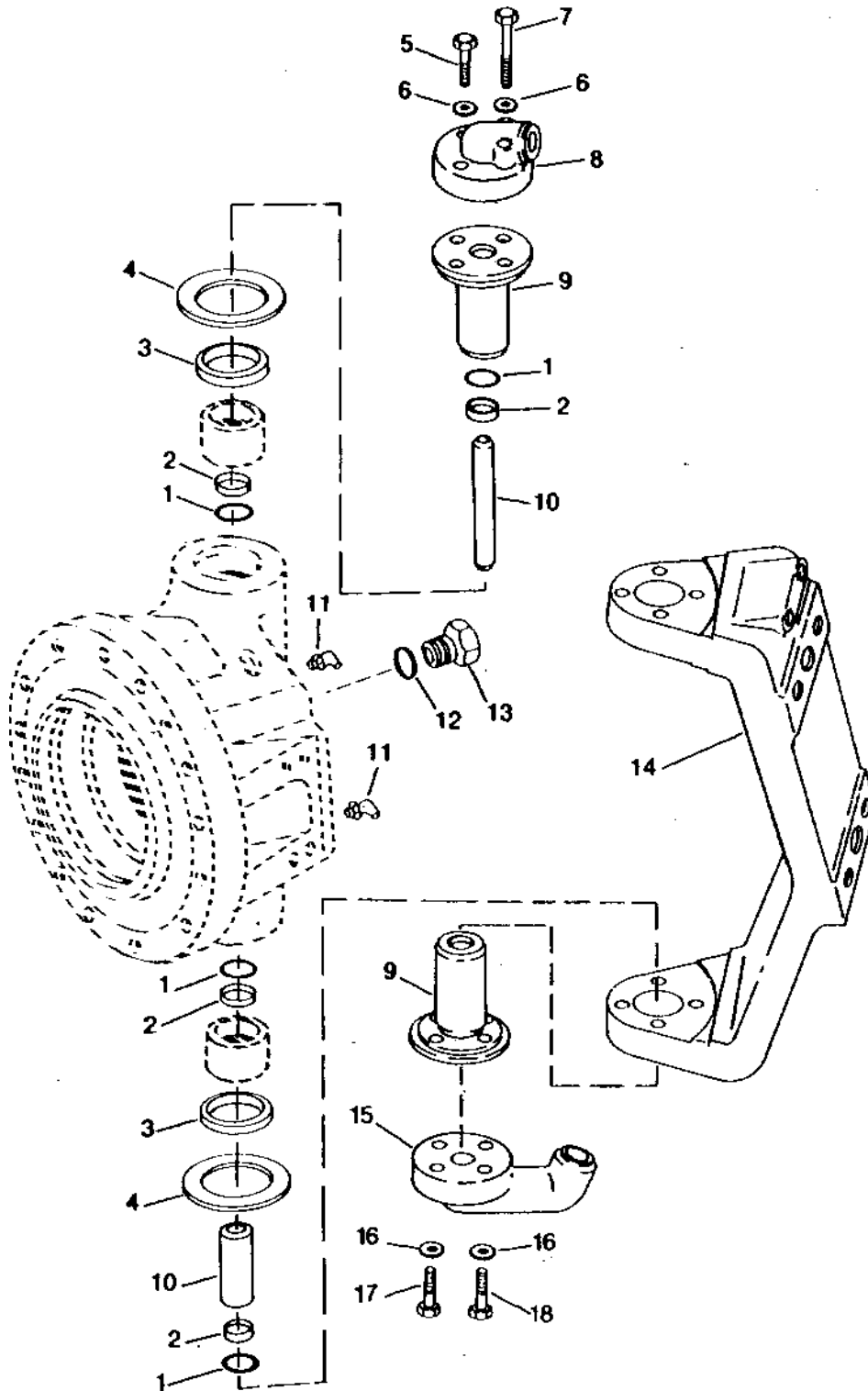
(B)(XXXXXX-XXXXXX) 800 R.H.-005160-XXXXXX;800 L.H.-005172-XXXXXX;1000 R.H.-003175-XXXXXX;1000

L.H.-003179-XXXXXX;1600 R.H.-002276-XXXXXX;1600 L.H.-002277-XXXXXX

A11

STEERABLE COMPONENTS

YOKE, PIVOTS AND CAPS
(50 SERIES CURRENT DESIGN AND 60 SERIES)
(STEERABLE)
RXP7667 -UN-01JAN94



RXP7667

A12

STEERABLE COMPONENTS

YOKE, PIVOTS AND CAPS - CONTINUED
(50 SERIES CURRENT DESIGN AND 60 SERIES)
(STEERABLE)

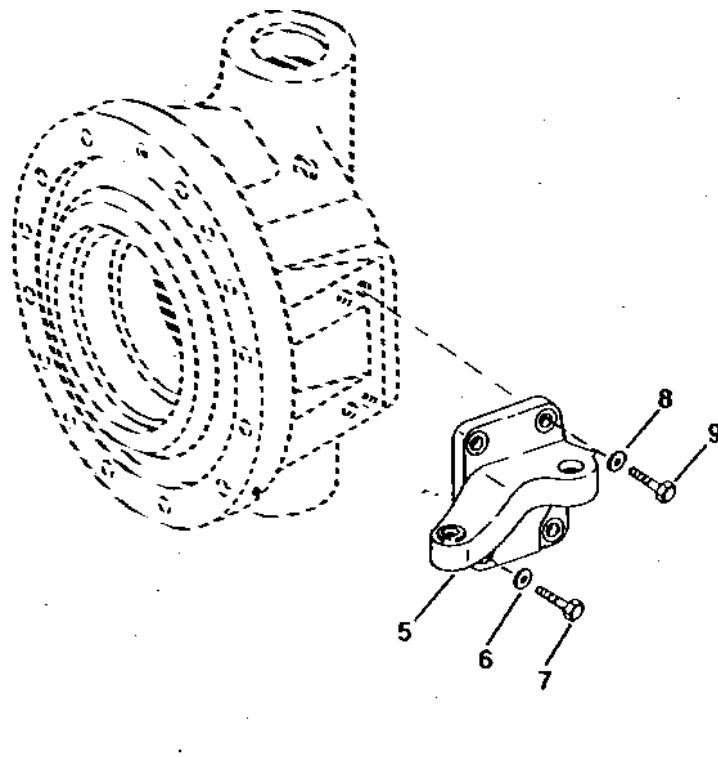
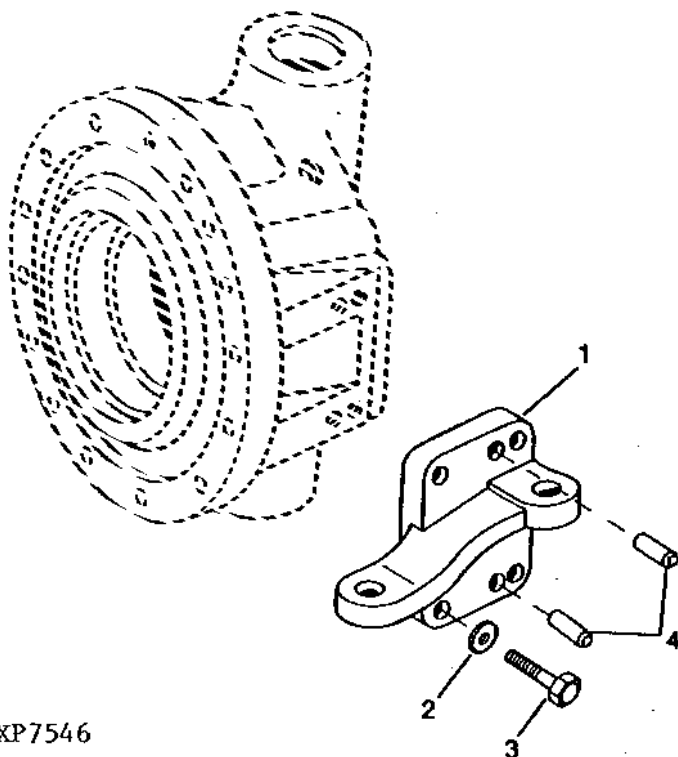
KEY	PART NO.	PART NAME	QTY	SERIAL NO.	5	6	REMARKS
					0	0	
1	U11647	O-RING	4		X	X	
2	R73102	WASHER	4		X	X	
3	AR86539	SEAL	2		X	X	
4	R60239	THRUST WASHER	2		X	X	
5	19H3267	CAP SCREW	2		X	X	3/8" X 1-5/8"
6	R69536	WASHER	4		X	X	
7	19H2855	CAP SCREW	2		X	X	3/8" X 3-1/4"
8	R85374	CAP	1		X	X	
9	R85376	PIN	2		X	X	
10	R85378	TUBE	2		X	X	
11	JD7847	LUBRICATION FITTING	2		X	X	65° X 0.840" LONG
12	R26375	O-RING	1		X	X	
13	R39112	FITTING	1		X	X	
14	R89015	YOKE	1		X	X	
15	R85373	CAP	1		X	X	
16	R69536	WASHER	4		X	X	
17	19H3267	CAP SCREW	2		X	X	3/8" X 1-5/8"
18	19H3031	CAP SCREW	2		X	X	3/8" X 2-1/2"

A13

STEERABLE COMPONENTS

**STEERING ARMS
(50 AND 60 SERIES)
(STEERABLE)**

RXP7546 -UN-01JAN94



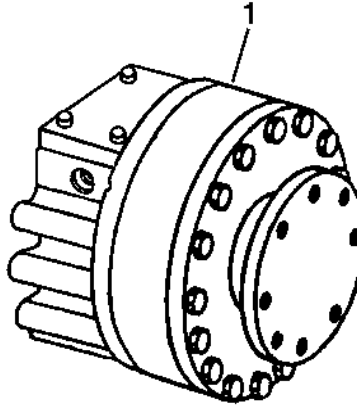
RXP7546

KEY	PART NO.	PART NAME	QTY	MOTOR SERIAL NO.	5 0	6 0	REMARKS
1	R70159	STEERING ARM	1		X		(L.H.)
	R70158	STEERING ARM	1		X		(R.H.)
2	R32214	WASHER	8		X		
3	19H2993	CAP SCREW	8		X		1/2" X 1-1/2"
4	R36224	DOWEL PIN	4		X		
5	R92977	STEERING ARM	1			X	(L.H.)
	R92978	STEERING ARM	1			X	(R.H.)
	R129599	STEERING ARM	2			X	(A) (ALSO ORDER (2) R32214, (2) 12H294, (2) 19H2710 AND (2) 19H2898)
6	R32214	WASHER	4			X	
7	19H2993	CAP SCREW	4			X	1/2" X 1-1/2"
8	U41353	WASHER	4			X	
9	19H2710	CAP SCREW	4			X	5/8" X 1-3/4"

(A) USE ON COMBINES ONLY

A15

FIXED-MOUNT CAM LOBE MOTOR
RXP022106 -UN-17APR97



RXP022106

KEY	PART NO.	PART NAME	QTY	MOTOR SERIAL NO.	REMARKS
1	RE53581	MOTOR	1	(A) R.H. (2482R11010) (50 SERIES)	
	RE53583	MOTOR	1	(A) L.H. (2482R21010) (50 SERIES)	
	RE53584	MOTOR	1	(A) L.H. (2482R82000) (50 SERIES)	
	RE53592	MOTOR	1	(B) R.H. (2485R11010) (50 SERIES)	
	RE53593	MOTOR	1	(B) L.H. (2485R21010) (50 SERIES)	
	RE53585	MOTOR	1	(C) R.H. (2483R11010) (50 SERIES)	
	RE53586	MOTOR	1	(C) L.H. (2483R21010) (50 SERIES)	
	RE53587	MOTOR	1	(C) L.H. (2483R21000) (50 SERIES)	
	RE70476	MOTOR	1	(C) R.H. (2483R11000) (50 SERIES)	
	RE53588	MOTOR	1	(D) R.H. (2484R11000) (50 SERIES)	
	RE53589	MOTOR	1	(D) L.H. (2484R21000) (50 SERIES)	
	RE53590	MOTOR	1	(D) R.H. (2484R11010) (50 SERIES)	
	RE53591	MOTOR	1	(D) L.H. (2484R21010) (50 SERIES)	
	RE53596	MOTOR	1	(C) R.H. (2493R11000) (60 SERIES)	
	RE53597	MOTOR	1	(C) L.H. (2493R21000) (60 SERIES)	

- (A) 1000CC
- (B) 1200CC
- (C) 1600CC
- (D) 2000CC

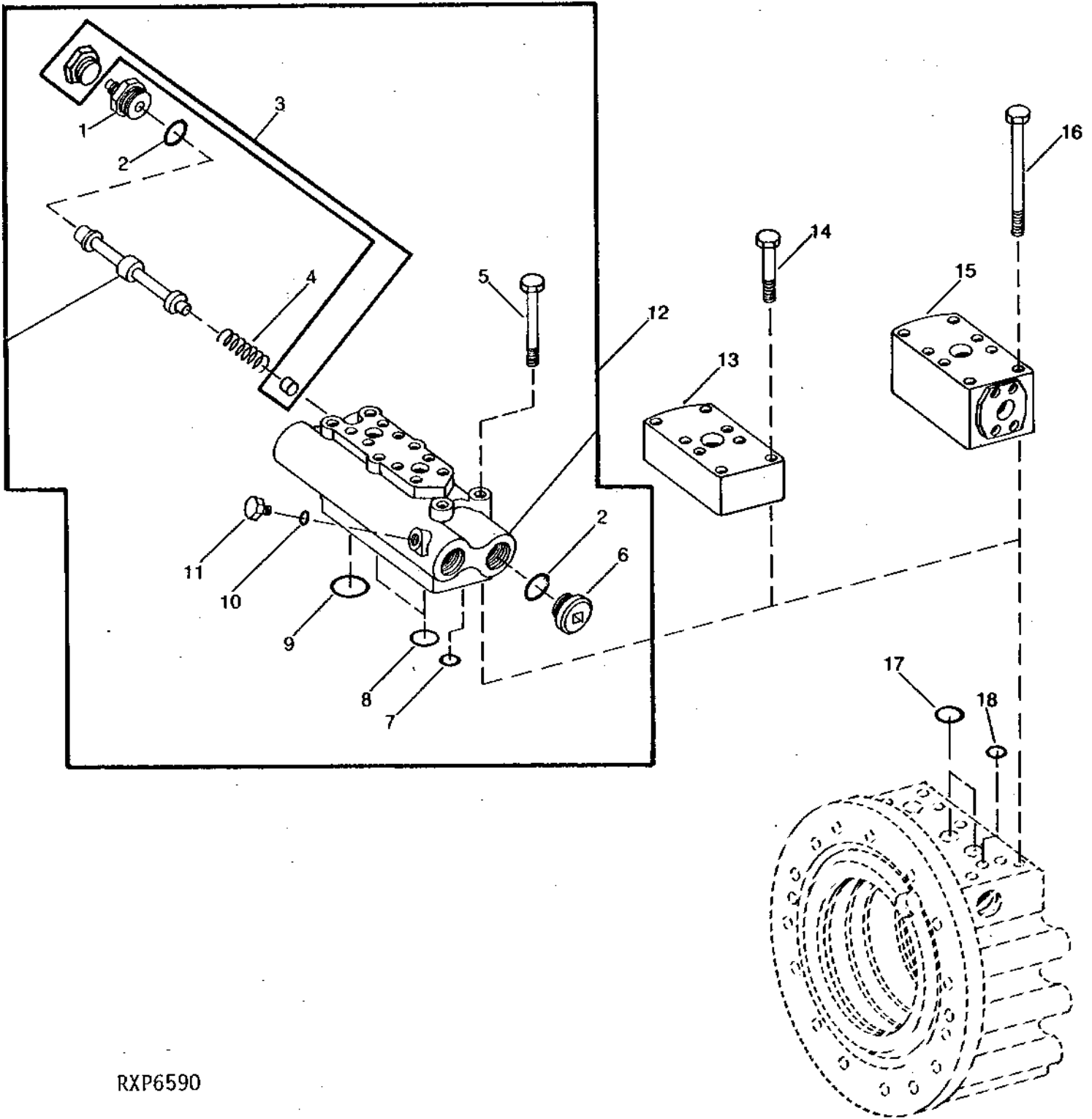
A16

FIXED-MOUNT COMPONENTS

PORTING BLOCK AND SHIFT VALVE(50 AND 60 SERIES)

(FIXED-MOUNT)

RXP6590 -UN-01JAN94



RXP6590

A17

**PORTING BLOCK AND SHIFT VALVE(50 AND 60 SERIES) - CONTINUED
(FIXED-MOUNT)**

KEY	PART NO.	PART NAME	QTY	MOTOR SERIAL NO.	3 1		REMARKS
					S S	P P	
					D D		
1	T48176	ADAPTER	2		X		
2	R29936	O-RING	4		X		
3	RE33448	KIT	1				(A) (INCLUDES (1) T21806 PLUG AND (1) R93665 SPACER)
4	R38185	SPRING	2		X		
5	19H2345	CAP SCREW	6		X		3/8" X 5-1/2"
6	T54072	DRAIN PLUG	2		X		
7	R394R	O-RING	1		X		
8	A4730R	O-RING	2		X		
9	U12037	O-RING	1		X		
10	R28782	O-RING	1		X		
11	R51031	FITTING	1		X		
12	RE27011	KIT	1		X		(NLA)
13	R80171	JUNCTION BLOCK	1			X	
14	19H3031	CAP SCREW	4			X	3/8" X 2-1/2"
15	R80067	JUNCTION BLOCK	1			X	
16	19H3175	CAP SCREW	4			X	
17	R56461	O-RING	2			X X	
18	R394R	O-RING	1			X X	

(A) CONVERT RE27011 SHIFT VALVE FROM 3 DISPLACEMENT TO 2 DISPLACEMENT AT REQUEST OF MARKETING

THE KIT WILL BE SOLD DIRECTLY TO THE OEM CUSTOMER AND INSTALLED BY THE CUSTOMER.

MEMORANDA

THIS PARTS LISTING IS CONTINUED

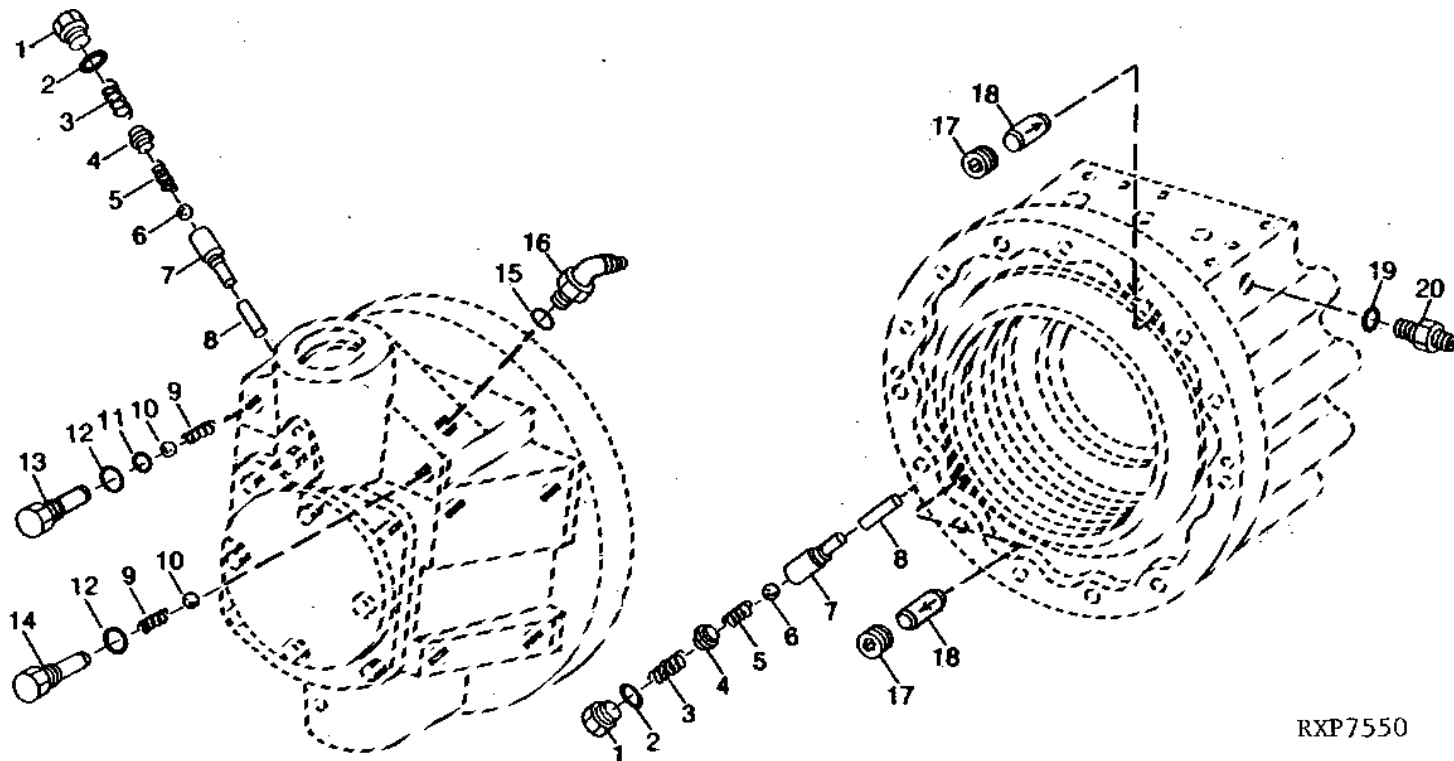
A19

DESTROKE PUMP, CHECK VALVE AND BRAKE COMPONENTS

DESTROKE PUMP AND CHECK VALVES(50 SERIES)

(STEERABLE AND FIXED-MOUNT)

RXP7550 -UN-01JAN94



RXP7550

KEY	PART NO.	PART NAME	QTY	MOTOR SERIAL NO.	5 0	6 0	REMARKS
1	R39112	FITTING	1		X		
2	R26375	O-RING	1		X		
3	R26908	SPRING	1		X		
4	R69989	RETAINER	1		X		
5	R55789	SPRING	1		X		
6	R84979	BALL	1		X		(SUB FOR R42849)
7	R69961	PISTON	1		X		
8	R44394	NEEDLE ROLLER	1		X		
9	R21723	SPRING	2		X		
10	R84979	BALL	2		X		
11	R28782	O-RING	1		X		
12	R26375	O-RING	2		X		
13	R69652	PLUG	1		X		
14	R69652	PLUG	1	-XXXXXX	X		(A)
	R36943	FITTING	1	XXXXXX-	X		
15	R26375	O-RING	1		X		
16	AT32332	ELBOW FITTING	1		X		(SUB FOR AR26763)
17	R100776	RETAINER	2		X		(APPLY HIGH STRENGTH LOCK SEALER TY9371)
18	AA26092	CHECK VALVE	2		X		
19	R26375	O-RING	1		X		
20	R27237	FITTING	1		X		

(A) FOR STEERABLE INNER COVER WITH TWO FINISHED MACHINED AREAS FOR STEERING ARMS

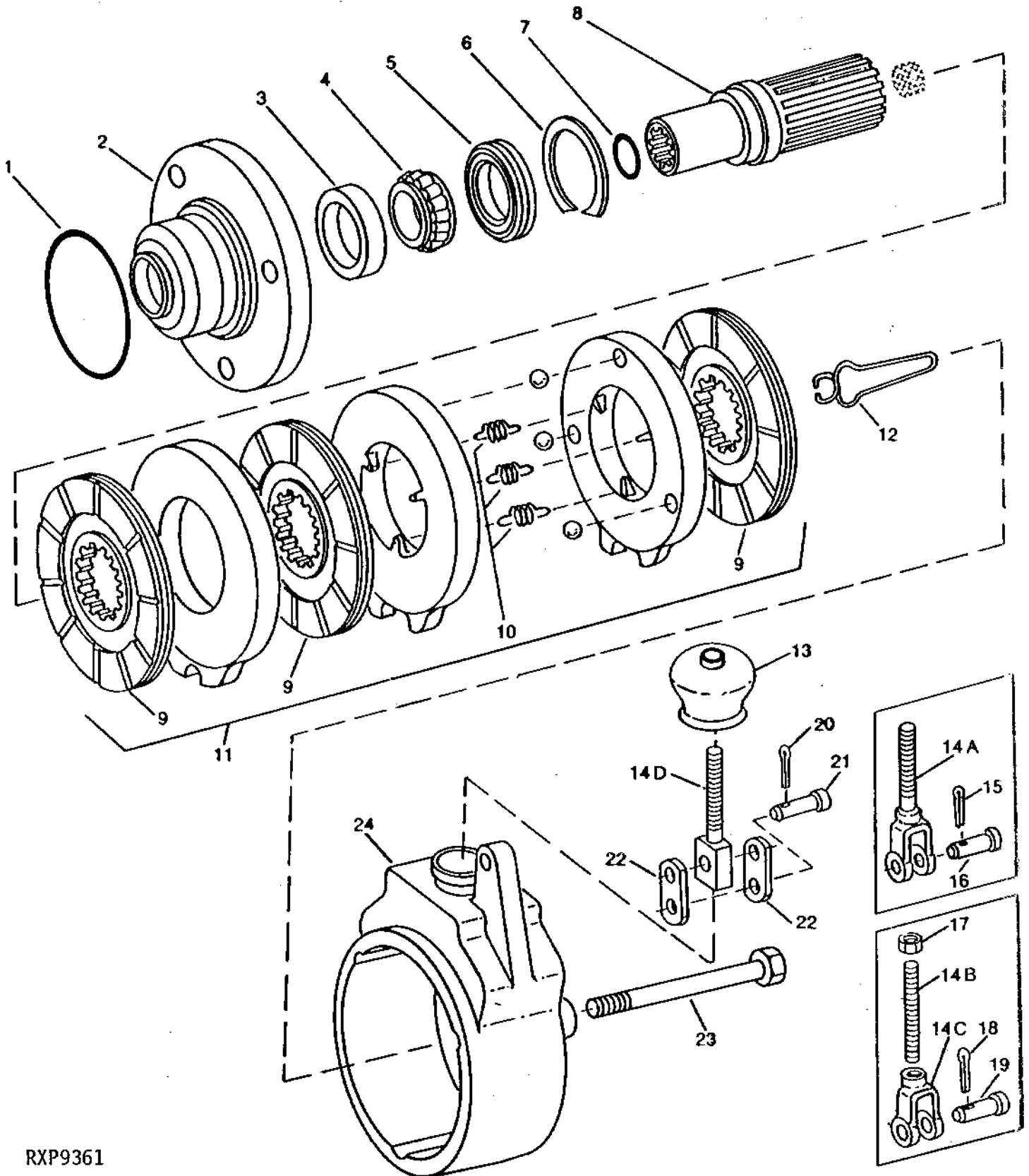
A20

DESTROKE PUMP, CHECK VALVE AND BRAKE COMPONENTS

PARKING BRAKE(50 SERIES)

(FIXED-MOUNT)

RXP9361 -UN-01JAN94



RXP9361

A21

DESTROKE PUMP, CHECK VALVE AND BRAKE COMPONENTS

PARKING BRAKE(50 SERIES) - CONTINUED (FIXED-MOUNT)

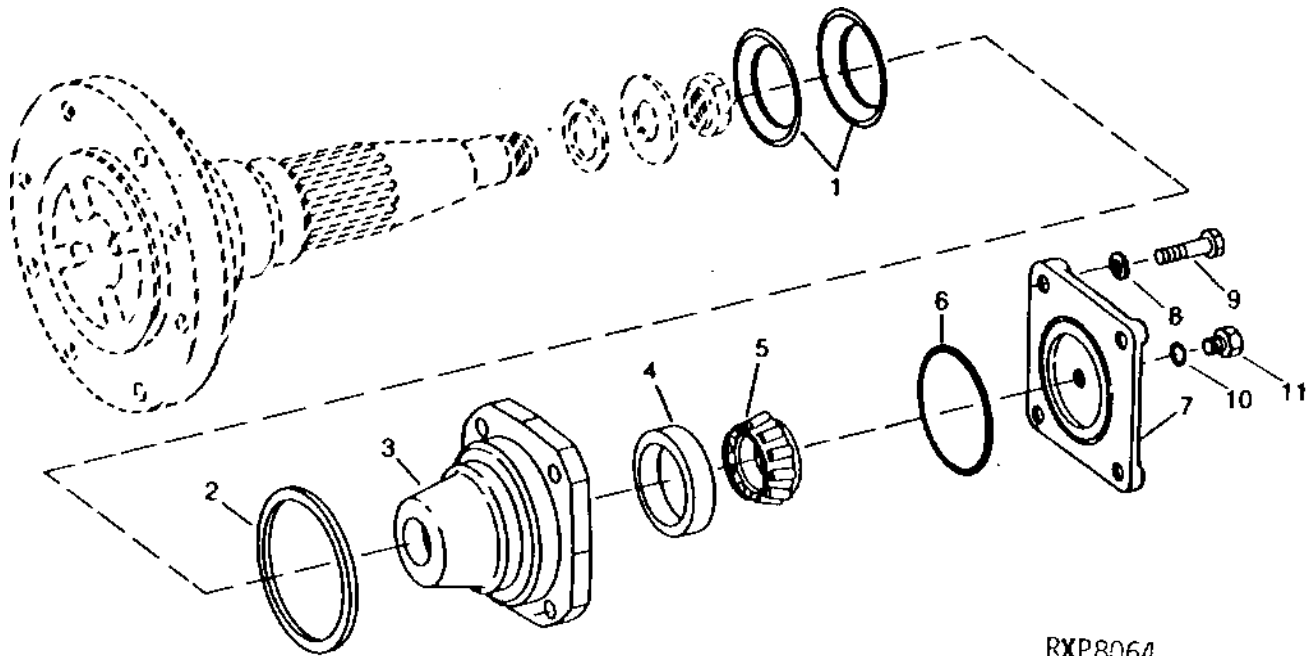
KEY	PART NO.	PART NAME	QTY	SERIAL NO.	5	6	REMARKS
					0	0	
1	R82783	O-RING	1		X		
2	R82673	BEARING HOUSING W/O BEARING	1		X		
3	JD9146	BEARING CUP	1		X		
4	JD9091	BEARING CONE	1		X		
5	RE22090	SEAL	1		X		
6	R64244	SNAP RING	1		X		
7	R82784	O-RING	1		X		
8	R82672	ADAPTER	1		X		
9	R82733	BRAKE DISK	3		X		
10	R82752	EXTENSION SPRING	3		X		
11	RE22029	BRAKE DISK	1		X		(BRAKE ASSEMBLY)
12	R82782	SPRING	1		X		
13	L31055	BOOT	1		X		
14A	RE21941	CLEVIS	1		X		(SUB R113432, (2) R113484, (2) N123358 AND (2) 11M7015)
14B	R111154	STUD	1		X		(SUB R113432, (2) R113484, (2) N123358 AND (2) 11M7015)
14C	R111155	YOKE	1		X		(SUB R113432, (2) R113484, (2) N123358 AND (2) 11M7015)
14D	R113432	ROD	1		X		(SUB FOR RE21941, R111154 OR R111155)
15	11M7015	COTTER PIN	1		X		3.200 X 25 MM
16	A26927	PIN	1		X		
17	14H849	NUT	1		X		7/16"
18	11M7015	COTTER PIN	1		X		3.200 X 25 MM
19	A26927	PIN	1		X		
20	11M7015	COTTER PIN	2		X		3.200 X 25 MM
21	R113484	PIN	2		X		
22	N123358	STRAP	2		X		
23	08H1486	CAP SCREW	3		X		(SUB FOR R45351)
24	R82637	HOUSING	1		X		

MEMORANDA

A23

INTERNAL MOTOR COMPONENTS

QUILL, BEARING AND COVER
 (60 SERIES)
 (STEERABLE AND FIXED-MOUNT)
 RXP8064 -UN-01JAN94



RXP8064

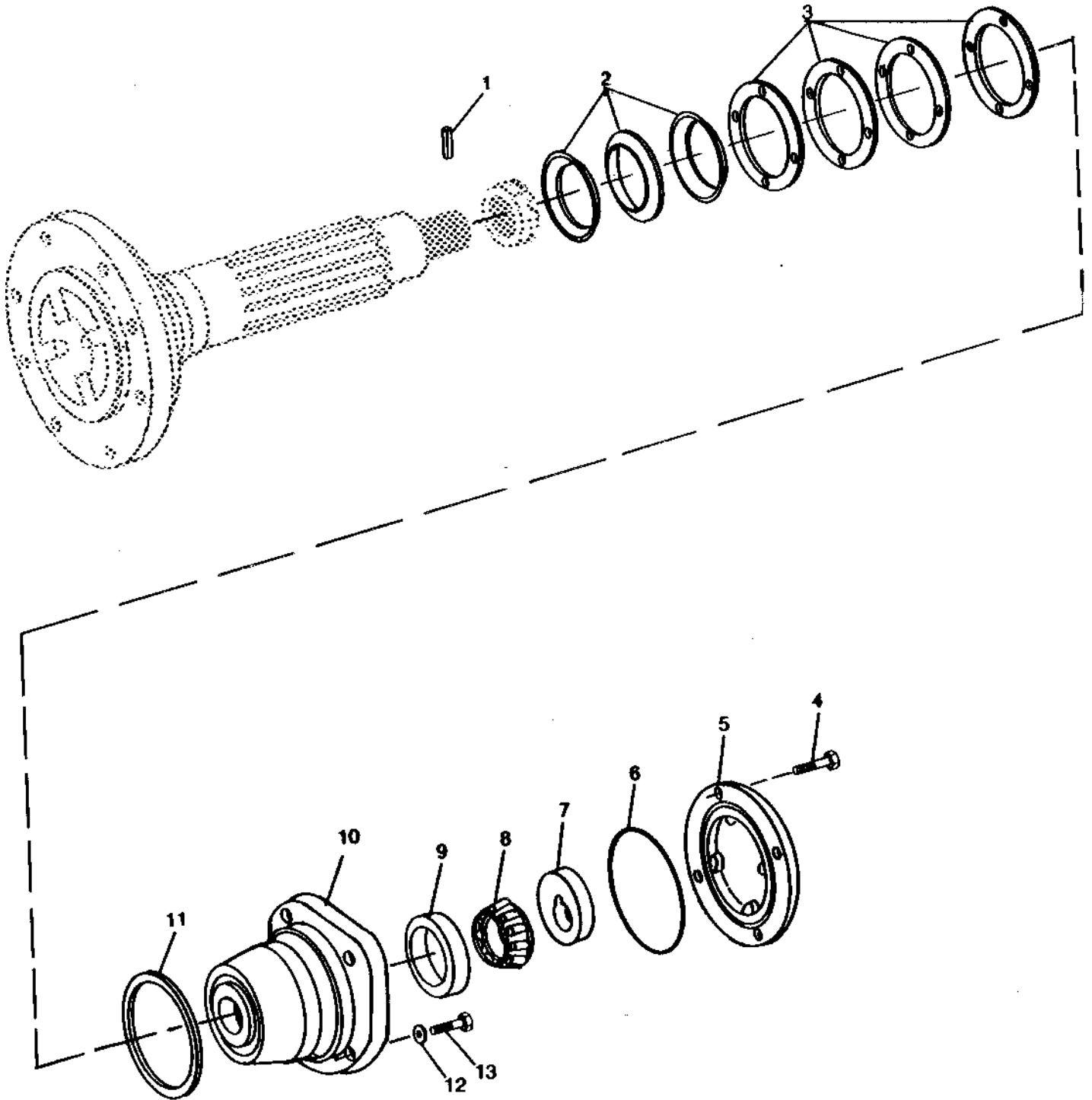
KEY	PART NO.	PART NAME	QTY	MOTOR SERIAL NO.	5 6 0 0	REMARKS
1	R85588	WASHER	2		X	
2	R39876	PACKING	1		X	
3	R92104	BEARING HOUSING W/O BEARING	1		X	
4	JD9109	BEARING CUP	1		X	
5	JD9043	BEARING CONE	1		X	
6	E55758	O-RING	1		X	
7	R100727	COVER	1	-XXXXXX	X	(A) (SUB R106846 AND (4) 19H3267)
	R106846	COVER	1	XXXXXX-	X	(B) (SUB FOR R100727)
8	R69536	WASHER	4		X	
9	19H3065	CAP SCREW	4	-XXXXXX	X	(A) 3/8" X 2", (USE WITH R100727)
	19H3267	CAP SCREW	4	XXXXXX-	X	(B) 3/8" X 1-5/8", (USE WITH R106846)
10	R28782	O-RING	1		X	
11	R51031	FITTING	1		X	

(A)(-XXXXXX)1200CC R.H.-011610;1200CC L.H.-011616;1600CC R.H.-012011;1600CC L.H.-011418

(B)(XXXXXX-)1200CC R.H.-011611;1200CC L.H.-011617;1600CC R.H.-012012;1600CC R.H.-011419

A24

QUILL, BEARING AND COVER
(50 SERIES)
(STEERABLE AND FIXED-MOUNT)
RP3418 -UN-01JAN94



RP3418

A25

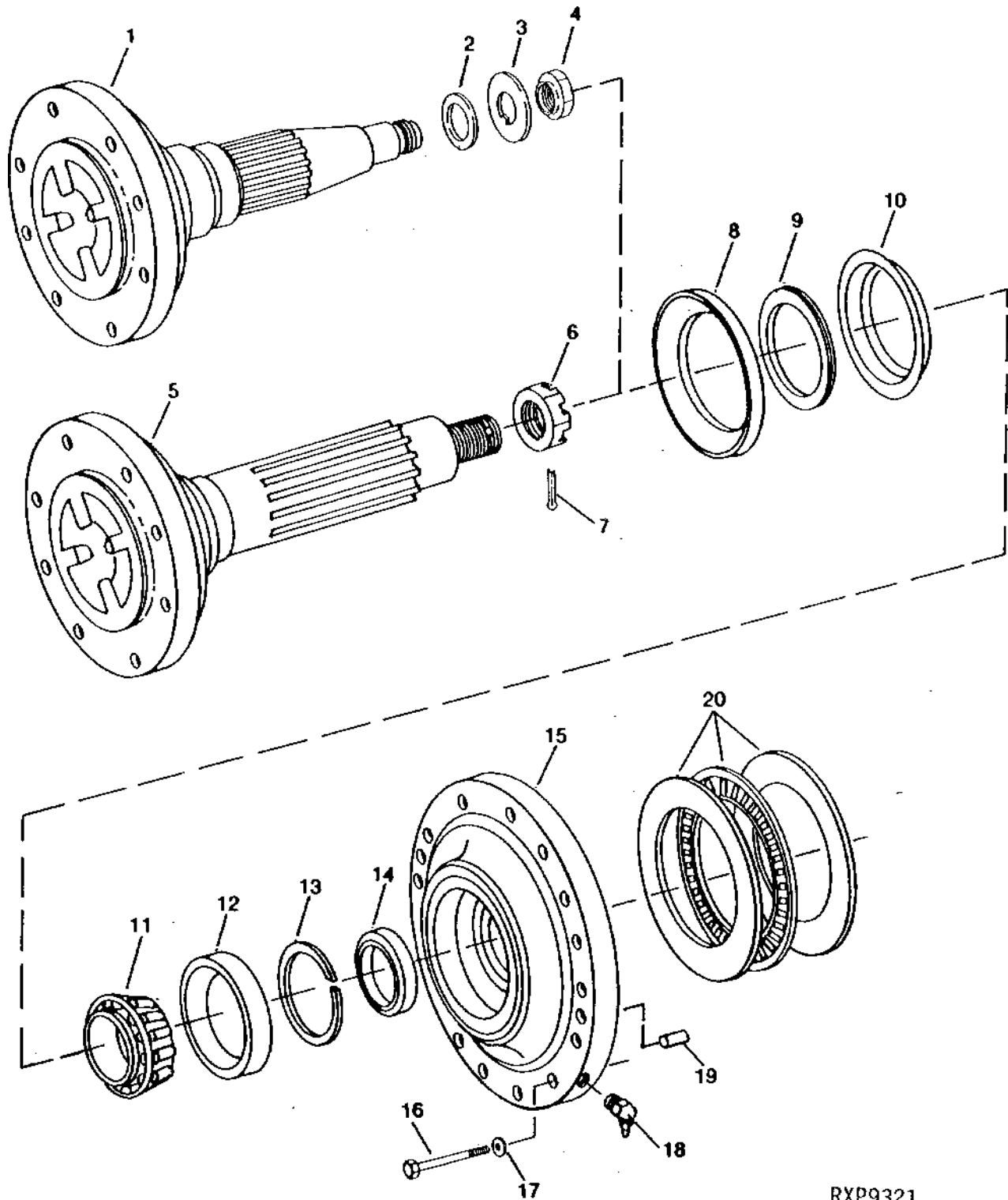
INTERNAL MOTOR COMPONENTS

QUILL, BEARING AND COVER - CONTINUED (50 SERIES) (STEERABLE AND FIXED-MOUNT)

KEY	PART NO.	PART NAME	QTY	MOTOR SERIAL NO.	5 6 0 0	REMARKS
1	34H266	SPRING PIN	1		X	5/32" X 1"
2	R71565	WASHER	3		X	
3	T54615	SHIM	AR		X	0.25MM (.010")
4	19H1900	CAP SCREW	4		X	5/16" X 3/4"
5	R69611	COVER	1		X	
6	E55758	O-RING	1		X	
7	R69651	SPACER	1		X	
8	JD9043	BEARING CONE	1		X	
9	JD9109	BEARING CUP	1		X	
10	R80066	BEARING HOUSING W/O BEARING	1		X	(SUB FOR R69962) (SUB R102951, R100727, (2) R85588, (4) 19H3065 AND (4) R69536)
	R102951	BEARING HOUSING W/O BEARING	1		X	(ALSO ORDER R100727, (2) R85588, (4) 19H3065 AND (4) R69536) (SUB FOR R69962 OR R80066)
11	R39876	PACKING	1		X	
12	R69536	WASHER	4		X	
13	19H3239	CAP SCREW	4		X	3/8" X 1-1/4"

B1

SHAFT, OUTER COVER, BEARING AND SEALS
(50 AND 60 SERIES)
(STEERABLE AND FIXED-MOUNT)
RXP9321 -UN-01JAN94



RXP9321

B2

INTERNAL MOTOR COMPONENTS

SHAFT, OUTER COVER, BEARING AND SEALS - CONTINUED (50 AND 60 SERIES) (STEERABLE AND FIXED-MOUNT)

KEY	PART NO.	PART NAME	QTY	MOTOR SERIAL NO.	5 0	6 0	REMARKS
1	R88972	SPINDLE	1	-XXXXXX	X		(C) (D) (F) (FLANGED) (SUB R11995 AND RE49243)
	R111995	SPINDLE	1	XXXXXX-	X		(C) (D) (G) (FLANGED) (ALSO ORDER RE49243) (SUB FOR R88972)
2	JD9849	THRUST BEARING	1		X		(EARLY MOTORS ONLY)
3	R93180	WASHER	1		X		
4	E59648	NUT	1		X		(SUB FOR R92160)
5	R80063	SPINDLE	1	-XXXXXX	X		(A) (FLANGED)
	R80068	SPINDLE	1	XXXXXX-	X		(A) (FLANGED)
	R82708	SHAFT	1	-XXXXXX	X		(A) (SPLINED)
	R80068	SPINDLE	1		X		(B) (D) (E) (FLANGED)
	R82709	SHAFT	1	XXXXXX-	X		(B) (D) (E) (SPLINED)
6	C1104R	NUT	1		X		5/8"
7	11M7083	COTTER PIN	1		X		0.126" X 1.969"
8	R75056	SEAL	1		X		
	R93030	SEAL	1	-XXXXXX	X		(F) (USE WITH R88972)
9	AT20703	SEAL	1		X		
	RE31701	SEAL	1	-XXXXXX	X		(F) (USE WITH R88972)
	RE49243	SEAL	1	XXXXXX-	X		(G) (USE WITH R111995)
10	T21429	OIL CUP	1		X		
	R57269	OIL CUP	1		X		
11	JD8147	BEARING CONE	1		X		
	JD10462	BEARING CONE	1		X		
12	JD7425	BEARING CUP	1		X		
	JD7448	BEARING CUP	1		X		
13	R50158	SNAP RING	1	-XXXXXX	X		(USE WITH R69928)
14	AR91569	SEAL	1		X		
	RE32824	SEAL	1		X		
15	R83476	COVER	1		X		(SUB FOR R69982 OR R80287)
	R82707	COVER	1		X		(PENTASTAR)
	R88829	COVER	1		X		
16	T27644	SCREW	15	-XXXXXX	X		(A) 1/2" X 5"
	19H3136	CAP SCREW	15	XXXXXX-	X		(A) 1/2" X 5-3/4"
	19H3136	CAP SCREW	15		X		(B) (D) (E) 1/2" X 5-3/4"
	R89610	CAP SCREW	15		X		(C) (D) 1/2" X 6"
17	R32214	WASHER	15		X	X	
18	JD7847	LUBRICATION FITTING	1		X	X	
19	R26650	DOWEL PIN	2		X	X	
20	RE68401	THRUST BEARING	1		X	X	(SUB FOR JD10082, JD10083 OR RE22642)

(A)800CC

(B)1000CC

(C)1200CC

(D)1600CC

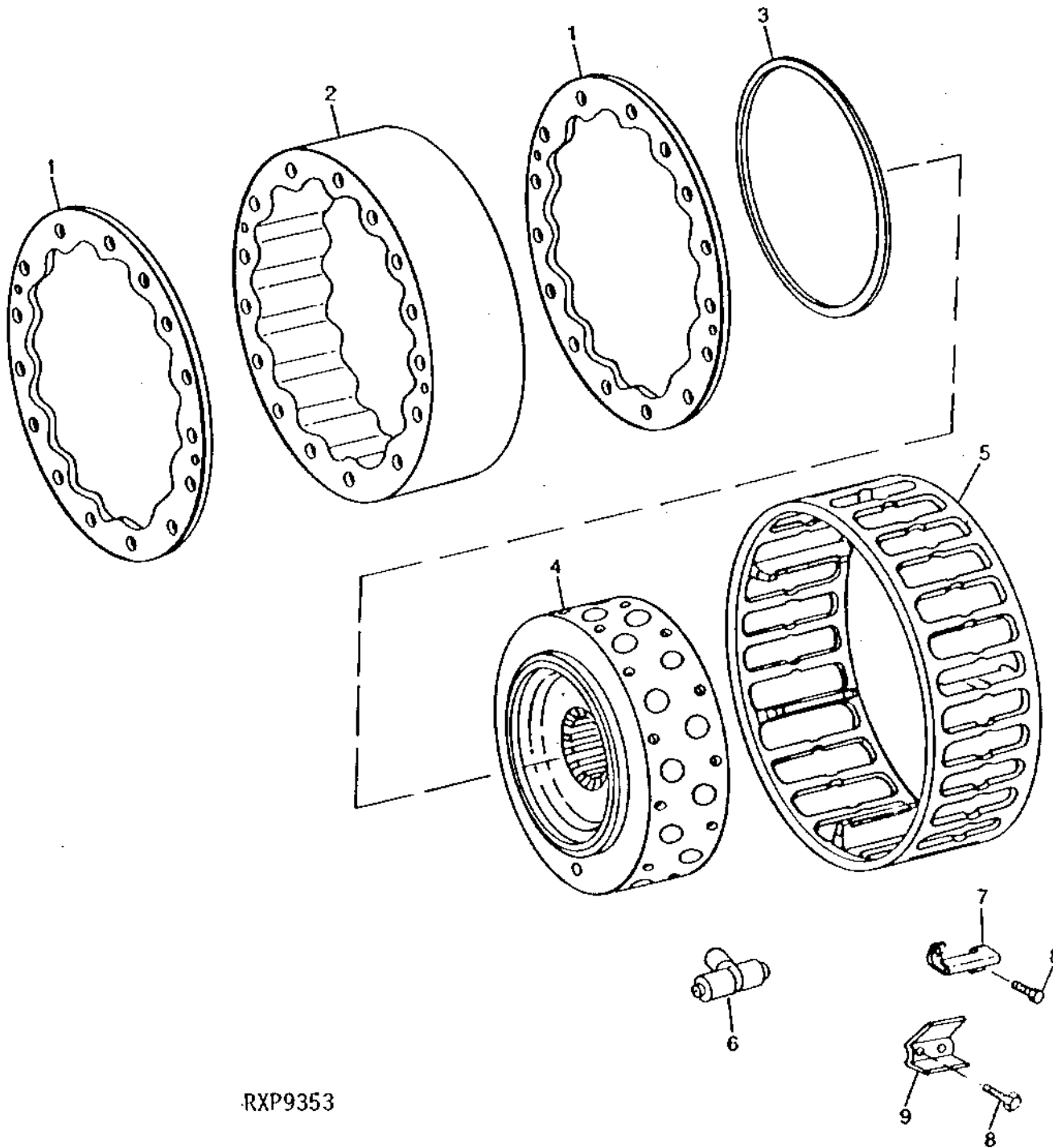
(E)2000CC

(F)(-XXXXXX)1200CC R.H.-011819;1200CC L.H.-011825;1600CC R.H.-012011;1600CC L.H.-011418

(G)(XXXXXX-)1200CC R.H.-011820;1200CC L.H.-011826;1600CC R.H.-012012;1600CC L.H.-011419

B3

CARRIER, PISTONS AND CAM
(50 AND 60 SERIES)
(STEERABLE AND FIXED-MOUNT)
RXP9353 -UN-01JAN94



RXP9353

**CARRIER, PISTONS AND CAM - CONTINUED
(50 AND 60 SERIES)
(STEERABLE AND FIXED-MOUNT)**

KEY	PART NO.	PART NAME	QTY	MOTOR SERIAL NO.	5 0	6 0	REMARKS
1	R93142	GASKET	2		X	X	(SUB FOR R69928)
2	R69929	CAM	1	-XXXXXX	X		(A)
	R92148	CAM	1	XXXXXX-	X		(A)
	R92148	CAM	1		X	X	(B) (C) (D) (SUB FOR R69927)
3	R73196	SEAL	1		X		
4	R69608	HYD. MOTOR PISTON CARRIER	1	-XXXXXX	X		(A) (F) (H)
	R100792	HYD. MOTOR PISTON CARRIER	1	XXXXXX-	X		(A) (G) (I)
	R69983	HYD. MOTOR PISTON CARRIER	1	-001006	X		(B)
	R100103	HYD. MOTOR PISTON CARRIER	1	001007-	X		(B) (SUB FOR R81457)
	R100667	HYD. MOTOR PISTON CARRIER	1		X		(C)
	R69984	HYD. MOTOR PISTON CARRIER	1		X		(D)
	R100106	HYD. MOTOR PISTON CARRIER	1	002859-	X		(E) (SUB FOR R87272)
	R88958	HYD. MOTOR PISTON CARRIER	1		X		(B)
	R88959	HYD. MOTOR PISTON CARRIER	1		X		(C)
	R88960	HYD. MOTOR PISTON CARRIER	1		X		(D) (SUB FOR R81263)
	R93601	HYD. MOTOR PISTON CARRIER	1		X		(E)
5	R80289	GUIDE	1	-XXXXXX	X		(A) (F) (H)
	R89012	GUIDE	1	XXXXXX-	X		(A) (G) (I)
	R97098	GUIDE	1	001007-	X		(B) (SUB FOR R81458 OR R87274)
	R89012	GUIDE	1	XXXXXX-001006	X		(D) (SUB FOR R80297 OR R87274)
	R89012	GUIDE	1	XXXXXX-	X		(E) (G) (I) (SUB FOR R87274)
	R92979	GUIDE	1		X	X	(C)
	R97098	GUIDE	1		X		(B)
	R89012	GUIDE	1		X		(D) (E) (SUB FOR R87274)
6	RE20203	PISTON	12	-XXXXXX	X		(A) (SUB FOR AR103553)
	RE27837	HYD. MOTOR PISTON CARRIER	12	XXXXXX-	X		(A)
	AR91185	PISTON	24	-001006	X		(B)
	RE20203	PISTON	15	001007-XXXXXX	X		(B) (SUB FOR AR103553)
	RE27837	HYD. MOTOR PISTON CARRIER	15	XXXXXX-	X		(B) (D)
	RE20203	PISTON	24	-XXXXXX	X		(D) (SUB FOR AR103553)
	RE27837	HYD. MOTOR PISTON CARRIER	24	XXXXXX-	X		(D)
	RE27837	HYD. MOTOR PISTON CARRIER	18		X	X	(C)
	RE26932	PISTON	24	-002858	X	X	(E) (SUB (24) RE40393, R100106 AND R89012)
	RE40393	PISTON	24	002859-	X	X	(E) (SUB FOR RE26932)
	RE27837	HYD. MOTOR PISTON CARRIER	15		X		(B)
	RE27837	HYD. MOTOR PISTON CARRIER	24		X		(D)
7	R70243	GUIDE	12	-XXXXXX	X		(B) (D) (F) (H)
8	R71931	CAP SCREW	12	-XXXXXX	X		(A) (F) (H)
	R71931	CAP SCREW	24	-XXXXXX	X		(B) (D) (F) (H)
9	R69648	GUIDE	6	-XXXXXX	X		(A) (F) (H)

(A) 800CC

(B) 1000CC

(C) 1200CC

(D) 1600CC

(E) 2000CC

(F) (-XXXXXX) 800,1000 AND 2000-XXXXXX;1600-001013(FIXED- MOUNT)

(G) (XXXXXX-) 800,1000 AND 2000-XXXXXX;1600-001014(FIXED- MOUNT)

(H) (-XXXXXX) 800 R.H.-XXXXXX;800 L.H.-XXXXXX;1000 R.H.-003174;1000 L.H.-003178 1600

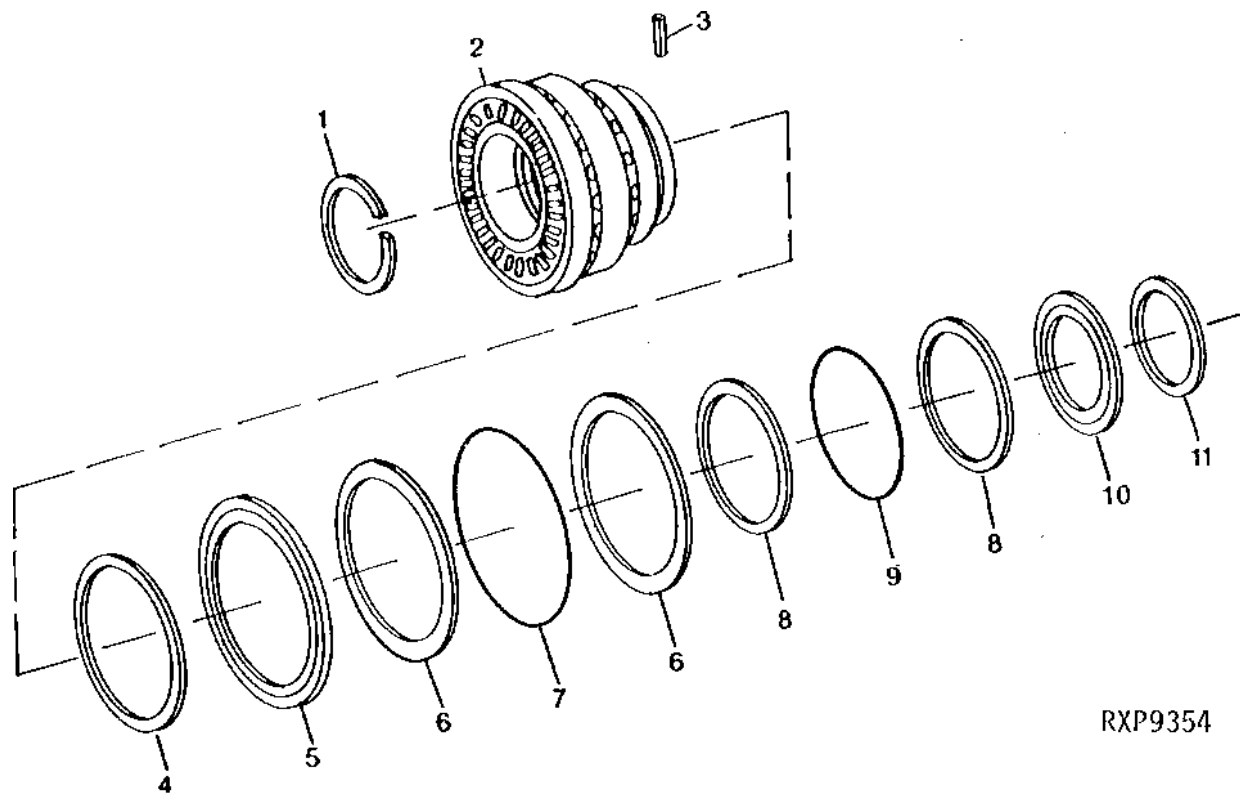
R.H.-002275;1600 L.H.-002276 (STEERABLE)

(I) (XXXXXX-) 800 R.H.-XXXXXX;800 L.H.-XXXXXX;1000 R.H.-003175;1000 R.H.-003179 1600

R.H.-002276;1600 L.H.-002277 (STEERABLE)

B5

MANIFOLD AND PACKINGS
 (50 AND 60 SERIES)
 (STEERABLE AND FIXED-MOUNT)
 RXP9354 -UN-01JAN94



RXP9354

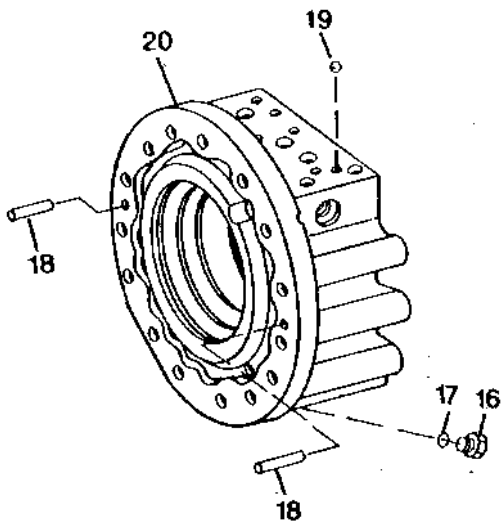
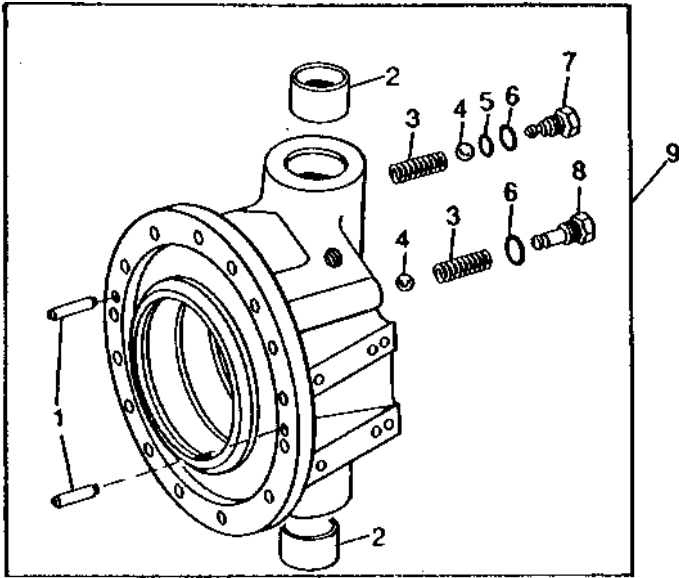
KEY	PART NO.	PART NAME	QTY	MOTOR SERIAL NO.	5	6	REMARKS
1	F2512R	SNAP RING	1	-XXXXXX	X		
2	R80065	MANIFOLD	1	-XXXXXX	X		(A) (SUB R82461)
	R82461	MANIFOLD	1	XXXXXX-	X	X	(A)
	R70140	MANIFOLD	1	-XXXXXX	X		(B) (SUB R82462)
	R82462	MANIFOLD	1	XXXXXX-	X	X	(B)
3	R71711	DOWEL PIN	1		X	X	(MANIFOLD TIMING PIN)
4	R74692	BACK-UP RING	1		X	X	(SUB FOR AR100467)
5	R74690	BACK-UP RING	2		X	X	
6	R74696	WASHER	1		X	X	
7	R74689	BACK-UP RING	2		X	X	
8	R74697	WASHER	1		X	X	
9	R74693	PACKING	1		X	X	(SUB FOR AR100468)
10	R74694	BACK-UP RING	1		X	X	(SUB FOR AR100468)
11	R74691	PACKING	1		X	X	(SUB FOR AR100467)

(A) FIXED-MOUNT

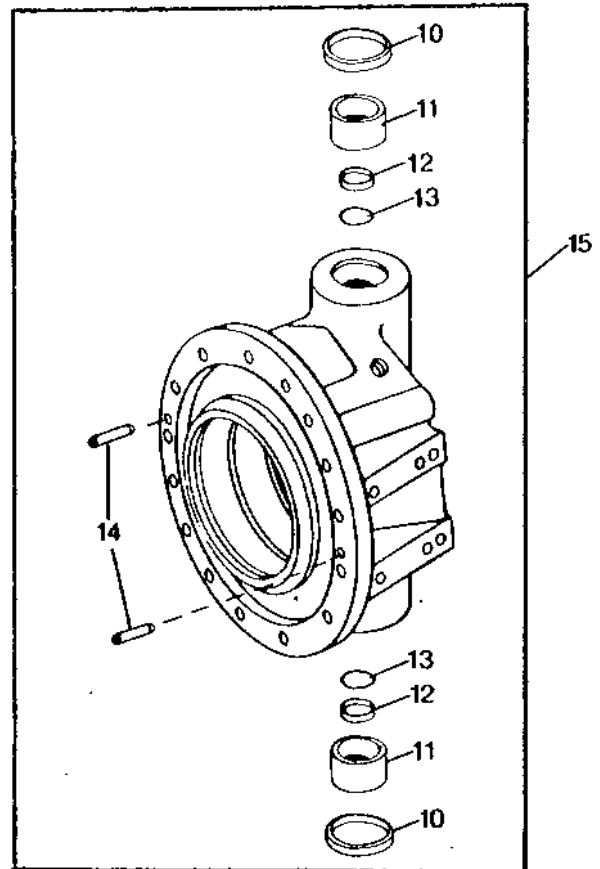
(B) STEERABLE

MEMORANDA

INNER COVER
(50 AND 60 SERIES)
(STEERABLE AND FIXED-MOUNT)
RXP9355 -UN-01JAN94



RXP9355



B7

**INNER COVER - CONTINUED
(50 AND 60 SERIES)
(STEERABLE AND FIXED-MOUNT)**

KEY	PART NO.	PART NAME	QTY	MOTOR SERIAL NO.	5 0	6 0	REMARKS
1	R26650	DOWEL PIN	2		X		
2	R68102	BUSHING	2		X		
3	R21723	SPRING	2		X		
4	R84979	BALL	2		X		(SUB FOR R42849)
5	R28782	O-RING	1		X		
6	R26375	O-RING	2		X		
7	R36943	FITTING	1		X		
8	R69652	PLUG	1		X		
9	RE16849	COVER	1	-XXXXXX	X		(A) (C) (MARKED R79981 OR R80294) (SUB RE22868 OR RE22869)
	RE22869	COVER	1	XXXXXX-	X		(A) (D) L.H. (MARKED R83313) (SUB FOR RE16849)
	RE22868	COVER	1	XXXXXX-	X		(A) (D) R.H. (MARKED R83312) (SUB FOR RE16849)
10	AR86539	SEAL	2		X		
11	R68102	BUSHING	2		X		
12	R73102	WASHER	2		X		
13	U11647	O-RING	2		X		
14	R26650	DOWEL PIN	2		X		
15	RE39131	COVER	1		X		(A) (MARKED R93105)
16	R75376	DRAIN PLUG	1		X X		(NO LONGER REQUIRED)
17	R26448	O-RING	1		X X		(NO LONGER REQUIRED)
18	R26650	DOWEL PIN	2		X X		
19	400R	BALL	1		X X		
20	R87678	COVER	1		X X		(B) (WITHOUT DESTROKE PUMP)
	R100775	COVER	1		X		(B) (WITH DESTROKE PUMP)

(A) STEERABLE

(B) FIXED-MOUNT

(C) (-XXXXXX) 800 R.H.-005524;800 L.H.-005551;1000 R.H.-XXXXXX;1000 L.H.-XXXXXX;1600

R.H.-XXXXXX;1600 L.H.-XXXXXX

(D) (XXXXXX-) 800 R.H.-005525;800 L.H.-005552;1000 R.H.-XXXXXX;1000 L.H.-XXXXXX;1600

R.H.-XXXXXX;1600 L.H.-XXXXXX

MEMORANDA

NUMERICAL INDEX

PART NO.	GRID	KEY	PAGE	PART NO.	GRID	KEY	PAGE	PART NO.	GRID	KEY	PAGE
AA26092	A19	18	30-1	RE22868	B7	9	40-11	R21723	A19	9	30-1
AR100467	B5	4	40-8	RE22869	B7	9	40-11	R21723	B7	3	40-11
AR100467	B5	11	40-8	RE26932	B4	6	40-7	R26375	A10	13	10-3
AR100468	B5	9	40-8	RE27011	A17	12	20-3	R26375	A12	12	10-5
AR100468	B5	10	40-8	RE27837	B4	6	40-7	R26375	A19	2	30-1
AR101841	A10	5	10-3	RE31701	B2	9	40-5	R26375	A19	12	30-1
AR101841	A10	19A	10-3	RE32824	B2	14	40-5	R26375	A19	15	30-1
AR101842	A10	5	10-3	RE33336	A8	1	10-1	R26375	A19	19	30-1
AR101842	A10	19A	10-3	RE33337	A8	1	10-1	R26375	B7	6	40-11
AR103553	B4	6	40-7	RE33338	A8	1	10-1	R26448	A10	16	10-3
AR26763	A19	16	30-1	RE33339	A8	1	10-1	R26448	B7	17	40-11
AR86539	A10	3	10-3	RE33448	A17	3	20-3	R26650	B2	19	40-5
AR86539	A12	3	10-5	RE39131	B7	15	40-11	R26650	B7	1	40-11
AR86539	B7	10	40-11	RE40393	B4	6	40-7	R26650	B7	14	40-11
AR91185	B4	6	40-7	RE49243	B2	1	40-5	R26650	B7	18	40-11
AR91569	B2	14	40-5	RE49243	B2	9	40-5	R26908	A19	3	30-1
AR91826	A8	1	10-1	RE53581	A15	1	20-1	R27218	A10	15	10-3
AR91827	A8	1	10-1	RE53583	A15	1	20-1	R27237	A19	20	30-1
AR91828	A8	1	10-1	RE53584	A15	1	20-1	R28782	A17	10	20-3
AR91829	A8	1	10-1	RE53585	A15	1	20-1	R28782	A19	11	30-1
AR91832	A8	1	10-1	RE53586	A15	1	20-1	R28782	A23	10	40-1
AR91833	A8	1	10-1	RE53587	A15	1	20-1	R28782	B7	5	40-11
AT20703	B2	9	40-5	RE53588	A15	1	20-1	R29936	A17	2	20-3
AT32331	A10	9A	10-3	RE53589	A15	1	20-1	R32214	A13	2	10-6
AT32332	A19	16	30-1	RE53590	A15	1	20-1	R32214	A13	5	10-6
A26927	A21	16	30-3	RE53591	A15	1	20-1	R32214	A13	6	10-6
A26927	A21	19	30-3	RE53592	A15	1	20-1	R32214	B2	17	40-5
A4730R	A17	8	20-3	RE53593	A15	1	20-1	R36224	A13	4	10-6
C1104R	B2	6	40-5	RE53594	A8	1	10-1	R36943	A19	14	30-1
E55758	A23	6	40-1	RE53595	A8	1	10-1	R36943	B7	7	40-11
E55758	A25	6	40-3	RE53596	A15	1	20-1	R38185	A17	4	20-3
E59648	B2	4	40-5	RE53597	A15	1	20-1	R39112	A10	14	10-3
F2512R	B5	1	40-8	RE67484	A8	1	10-1	R39112	A12	13	10-5
JD10082	B2	20	40-5	RE67485	A8	1	10-1	R39112	A19	1	30-1
JD10083	B2	20	40-5	RE67486	A8	1	10-1	R394R	A17	7	20-3
JD10462	B2	11	40-5	RE67487	A8	1	10-1	R394R	A17	18	20-3
JD7425	B2	12	40-5	RE68401	B2	20	40-5	R39876	A23	2	40-1
JD7448	B2	12	40-5	RE70476	A15	1	20-1	R39876	A25	11	40-3
JD7847	A10	12	10-3	R100103	B4	4	40-7	R42849	A19	6	30-1
JD7847	A12	11	10-5	R100106	B4	4	40-7	R42849	B7	4	40-11
JD7847	B2	18	40-5	R100106	B4	6	40-7	R44394	A19	8	30-1
JD8147	B2	11	40-5	R100667	B4	4	40-7	R45351	A21	23	30-3
JD9043	A23	5	40-1	R100727	A23	7	40-1	R50158	B2	13	40-5
JD9043	A25	8	40-3	R100727	A23	9	40-1	R51031	A17	11	20-3
JD9091	A21	4	30-3	R100727	A25	10	40-3	R51031	A23	11	40-1
JD9109	A23	4	40-1	R100775	B7	20	40-11	R55789	A19	5	30-1
JD9109	A25	9	40-3	R100776	A19	17	30-1	R56461	A17	17	20-3
JD9146	A21	3	30-3	R100792	B4	4	40-7	R57269	B2	10	40-5
JD9849	B2	2	40-5	R102951	A25	10	40-3	R60239	A10	4	10-3
L31055	A21	13	30-3	R106846	A23	7	40-1	R60239	A12	4	10-5
N123358	A21	14A	30-3	R106846	A23	9	40-1	R60424	A10	5	10-3
N123358	A21	14B	30-3	R111154	A21	14B	30-3	R64244	A21	6	30-3
N123358	A21	14C	30-3	R111154	A21	14D	30-3	R68102	B7	2	40-11
N123358	A21	22	30-3	R111155	A21	14C	30-3	R68102	B7	11	40-11
RE16849	B7	9	40-11	R111155	A21	14D	30-3	R69536	A10	7	10-3
RE18718	A8	1	10-1	R111995	B2	1	40-5	R69536	A10	20	10-3
RE18719	A8	1	10-1	R111995	B2	9	40-5	R69536	A12	6	10-5
RE18720	A8	1	10-1	R113432	A21	14A	30-3	R69536	A12	16	10-5
RE18721	A8	1	10-1	R113432	A21	14B	30-3	R69536	A23	8	40-1
RE18724	A8	1	10-1	R113432	A21	14C	30-3	R69536	A25	10	40-3
RE18725	A8	1	10-1	R113432	A21	14D	30-3	R69536	A25	12	40-3
RE20203	B4	6	40-7	R113484	A21	14A	30-3	R69608	B4	4	40-7
RE21941	A21	14A	30-3	R113484	A21	14B	30-3	R69610	A10	17	10-3
RE21941	A21	14D	30-3	R113484	A21	14C	30-3	R69611	A25	5	40-3
RE22029	A21	11	30-3	R113484	A21	21	30-3	R69648	B4	9	40-7
RE22090	A21	5	30-3	R11995	B2	1	40-5	R69651	A25	7	40-3
RE22642	B2	20	40-5	R129599	A13	5	10-6	R69652	A19	13	30-1

NUMERICAL INDEX - CONTINUED

PART NO.	GRID	KEY	PAGE	PART NO.	GRID	KEY	PAGE	PART NO.	GRID	KEY	PAGE
R69652	A19	14	30-1	R82752	A21	10	30-3				
R69652	B7	8	40-11	R82782	A21	12	30-3				
R69927	B4	2	40-7	R82783	A21	1	30-3				
R69928	B2	13	40-5	R82784	A21	7	30-3				
R69928	B4	1	40-7	R83312	B7	9	40-11				
R69929	B4	2	40-7	R83313	B7	9	40-11				
R69961	A19	7	30-1	R83476	B2	15	40-5				
R69962	A25	10	40-3	R84979	A19	6	30-1				
R69982	B2	15	40-5	R84979	A19	10	30-1				
R69983	B4	4	40-7	R84979	B7	4	40-11				
R69984	B4	4	40-7	R85373	A12	15	10-5				
R69989	A19	4	30-1	R85374	A12	8	10-5				
R70140	B5	2	40-8	R85376	A12	9	10-5				
R70158	A13	1	10-6	R85378	A12	10	10-5				
R70159	A13	1	10-6	R85588	A23	1	40-1				
R70243	B4	7	40-7	R85588	A25	10	40-3				
R71565	A25	2	40-3	R87272	B4	4	40-7				
R71711	B5	3	40-8	R87274	B4	5	40-7				
R71931	B4	8	40-7	R87678	B7	20	40-11				
R71966	A10	11	10-3	R88829	B2	15	40-5				
R73102	A10	2	10-3	R88958	B4	4	40-7				
R73102	A12	2	10-5	R88959	B4	4	40-7				
R73102	B7	12	40-11	R88960	B4	4	40-7				
R73196	B4	3	40-7	R88972	B2	1	40-5				
R74689	B5	7	40-8	R88972	B2	8	40-5				
R74690	B5	5	40-8	R88972	B2	9	40-5				
R74691	B5	11	40-8	R89012	B4	5	40-7				
R74692	B5	4	40-8	R89012	B4	6	40-7				
R74693	B5	9	40-8	R89015	A10	17	10-3				
R74694	B5	10	40-8	R89015	A12	14	10-5				
R74696	B5	6	40-8	R89610	B2	16	40-5				
R74697	B5	8	40-8	R92104	A23	3	40-1				
R75056	B2	8	40-5	R92148	B4	2	40-7				
R75376	B7	16	40-11	R92160	B2	4	40-5				
R79981	B7	9	40-11	R92977	A13	5	10-6				
R80063	B2	5	40-5	R92978	A13	5	10-6				
R80065	B5	2	40-8	R92979	B4	5	40-7				
R80066	A25	10	40-3	R93030	B2	8	40-5				
R80067	A17	15	20-3	R93105	B7	15	40-11				
R80068	B2	5	40-5	R93142	B4	1	40-7				
R80171	A17	13	20-3	R93180	B2	3	40-5				
R80287	B2	15	40-5	R93601	B4	4	40-7				
R80289	B4	5	40-7	R93665	A17	3	20-3				
R80294	B7	9	40-11	R97098	B4	5	40-7				
R80297	B4	5	40-7	TY9371	A19	17	30-1				
R80971	A10	5	10-3	T21429	B2	10	40-5				
R80971	A10	19A	10-3	T21806	A17	3	20-3				
R80971	A10	19B	10-3	T27644	B2	16	40-5				
R80972	A10	5	10-3	T48176	A17	1	20-3				
R80972	A10	9B	10-3	T54072	A17	6	20-3				
R80973	A10	5	10-3	T54615	A25	3	40-3				
R80973	A10	19A	10-3	U11647	A10	1	10-3				
R80974	A10	11	10-3	U11647	A12	1	10-5				
R80975	A10	19A	10-3	U11647	B7	13	40-11				
R80975	A10	19B	10-3	U12037	A17	9	20-3				
R81263	B4	4	40-7	U12547	A10	9A	10-3				
R81457	B4	4	40-7	U41353	A13	8	10-6				
R81458	B4	5	40-7	U46335	A10	10	10-3				
R82461	B5	2	40-8	U46335	A10	18	10-3				
R82462	B5	2	40-8	400R	B7	19	40-11				
R82637	A21	24	30-3								
R82672	A21	8	30-3								
R82673	A21	2	30-3								
R82707	B2	15	40-5								
R82708	B2	5	40-5								
R82709	B2	5	40-5								
R82733	A21	9	30-3								